

1. All clearances and protective devices must be in conformance to the most stringent requirements of the NESC, the NEC, or other codes of governmental or regulating authorities as applicable.
2. PRECorp personnel shall verify all heat rate meter installations meet PRECorp's standards.
3. Heat Rate Meter must be clearly marked.
4. A clear work space of 3 ft shall be maintained around the meter.
5. Heat Rate Meter shall be installed in close proximity to Main Electric Meter when both meters are mounted on the same building.
6. Heat Rate Meter shall not be installed on mobile homes. Heat Rate Meter shall be mounted on a minimum 4" X 4" x 10' treated post for any type of mobile home.

DESIGN PARAMETERS:

- See Notes 1 through 6 above.

**Heat Rate Sub-Metering
Installed next to Main Electric
Meter on Building**

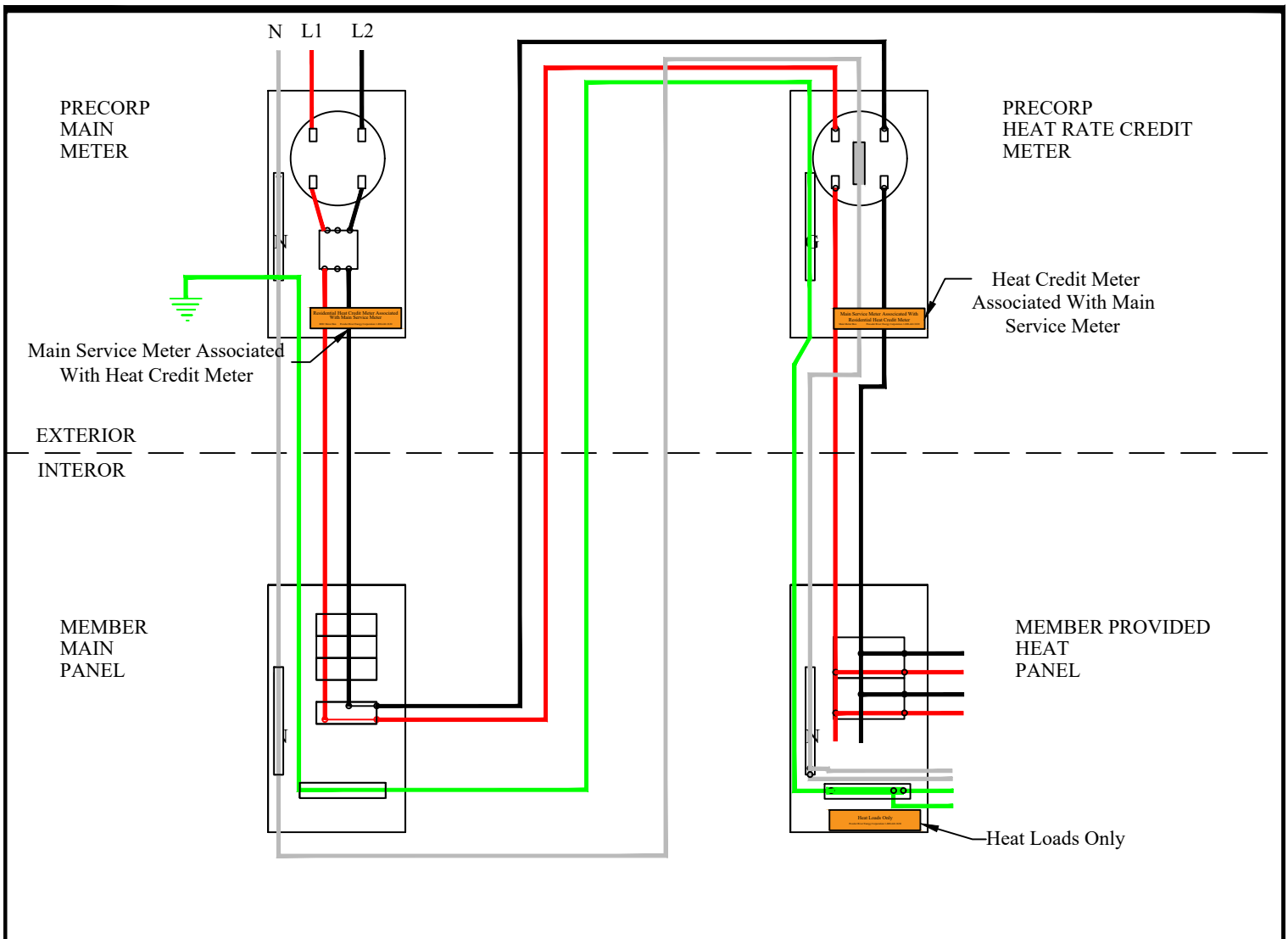
09/14/20

Rev. 0

Page 1 of 8



HRSM

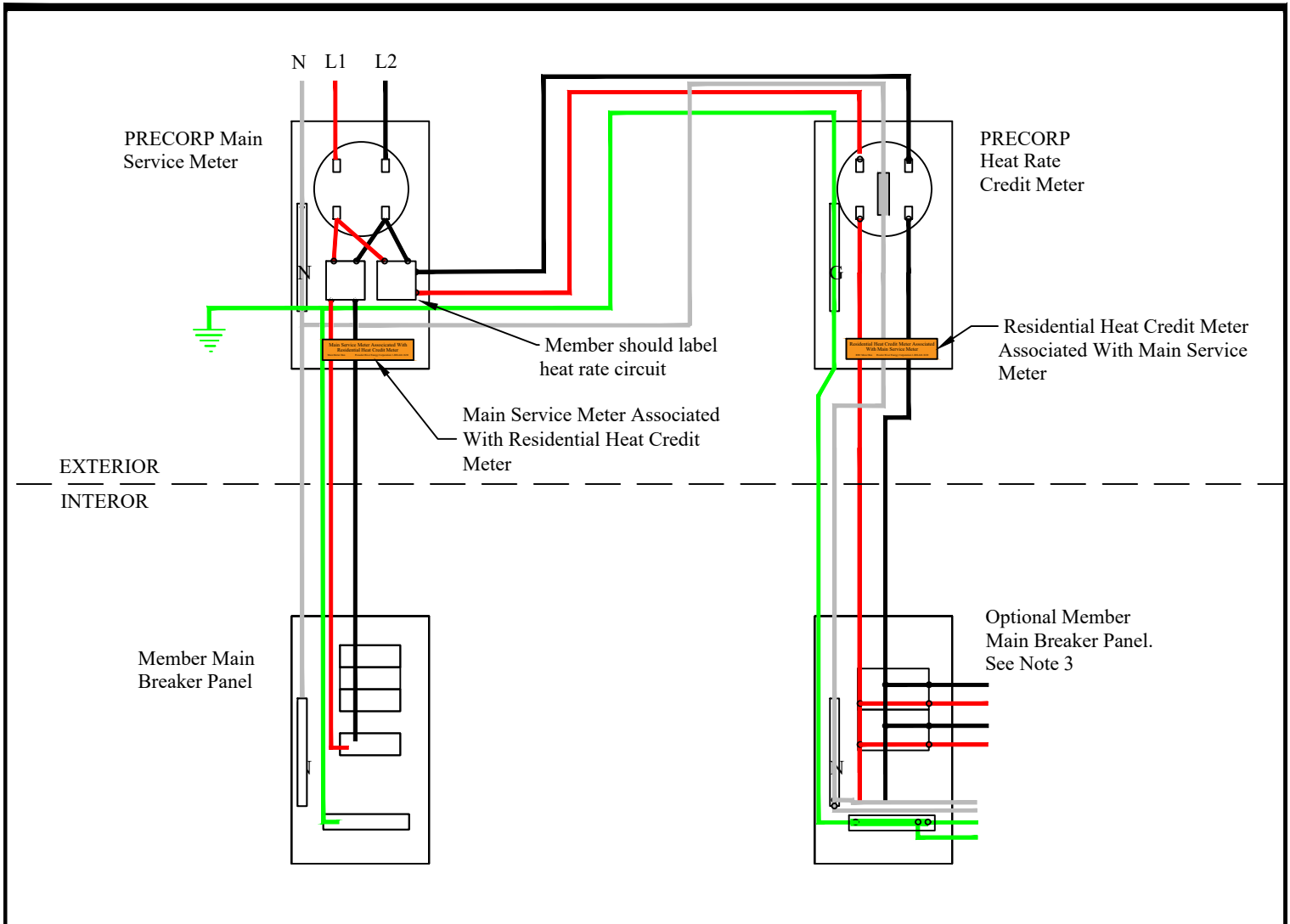


1. All clearances and protective devices must be in conformance to the most stringent requirements of the NESC, the NEC, or other codes of governmental or regulating authorities as applicable.
2. Wire Colors in drawing for illustration, actual colors shall meet NEC requirements.
3. A sub panel and breaker shall be installed in the Heat Rate Circuit if heat source is not equipped with breaker.
4. PRECorp personnel shall verify all heat rate meter installations meet PRECorp's standards.
5. Heat Rate Meter base must be clearly marked as such.
6. All breakers shall be labeled denoting meter base potentials and loads.
7. Labels shall be placed on the outside of meter box/sub panel in that they do not interfere with the opening/closing of the device.
8. A clear work space of 3' shall be maintained around the meters.
9. Heat Rate Meter shall be installed in close proximity to Main Electric Meter when both meters are mounted on the same building.
10. Heat Rate Meter shall not be installed on mobile homes. Heat Rate Meter shall be mounted on a minimum 4" X 4" x 10' treated post for any type of mobile home.

ITEM	DESCRIPTION	QTY	UNIT
1	Conduit	As Req'd	Ft.
2	Hardware	As Req'd	Ea.
3	200 A 5 Terminal Meter Base with Lever Bypass	1	Ea.

DESIGN PARAMETERS:
 • See Notes 1 through 10 above.

HEAT RATE METER WIRING DIAGRAM
 For 1Ø 3 Wire Heating Loads Under 200 Amps Wired from Member's
 Main Breaker.
Meter Form: 2S or 2E



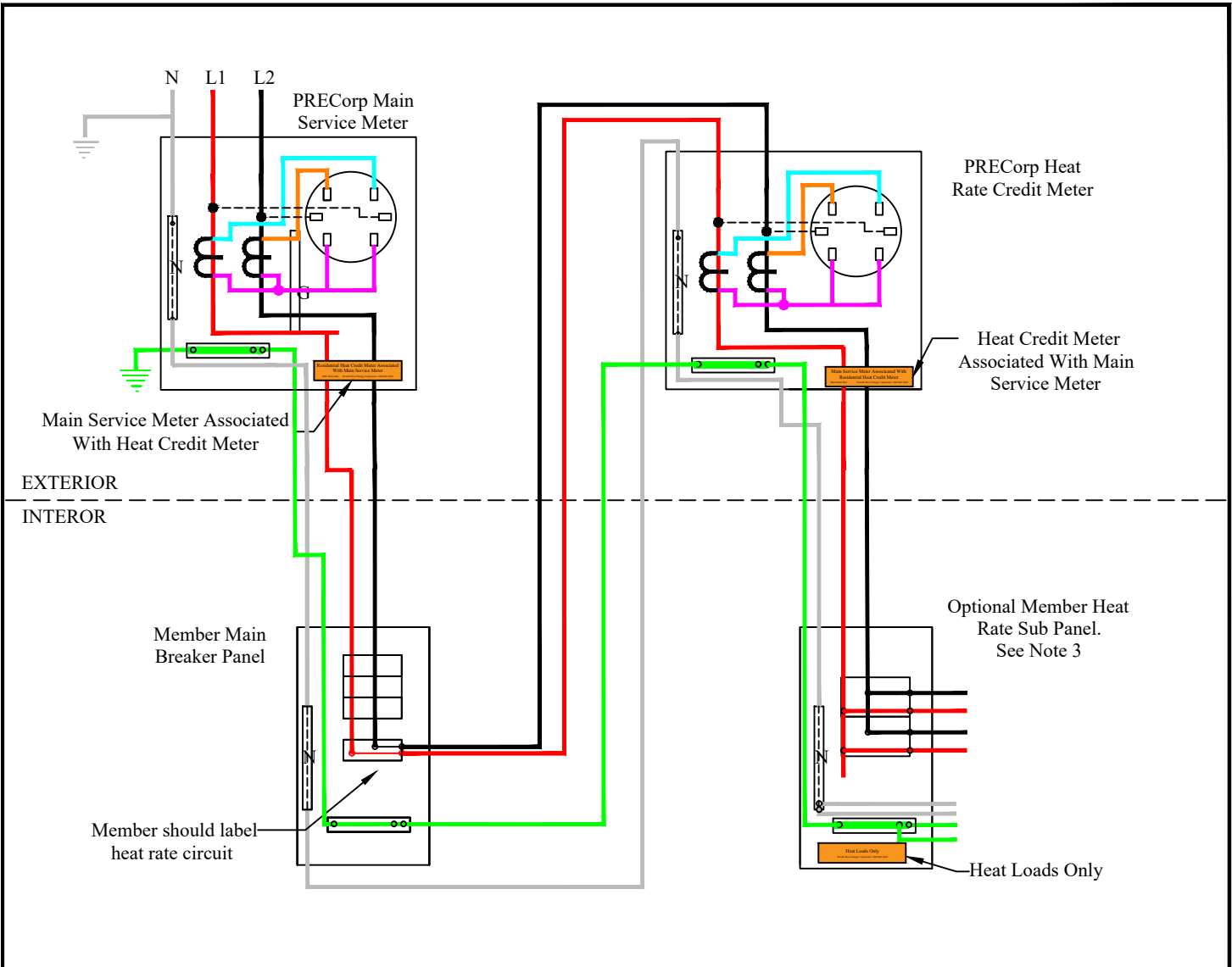
1. All clearances and protective devices must be in conformance to the most stringent requirements of the NESC, the NEC, or other codes of governmental or regulating authorities as applicable.
2. Wire Colors in drawing for illustration, actual colors shall meet NEC requirements.
3. A sub panel and breaker shall be installed in the Heat Rate Circuit if heat source is not equipped with breaker.
4. PRECorp personnel shall verify all heat rate meter installations meet PRECorp's standards.
5. Heat Rate Meter base must be clearly marked as such.
6. All breakers shall be labeled denoting meter base potentials and loads.
7. Labels shall be placed on the outside of meter box/sub panel in that they do not interfere with the opening/closing of the device.
8. A clear work space of 3' shall be maintained around the meters.
9. Heat Rate Meter shall be installed in close proximity to Main Electric Meter when both meters are mounted on the same building.
10. Heat Rate Meter shall not be installed on mobile homes. Heat Rate Meter shall be mounted on a minimum 4" X 4" x 10' treated post for any type of mobile home.
11. Wiring Drawing for Main Service Meter Cans with multiple breakers, such as the 320Amp Meter Cabinet with two breakers or the 200Amp Meter Cabinet with multiple breakers.

ITEM	DESCRIPTION	QTY	UNIT
1	Conduit	As Req'd	Ft.
2	Hardware	As Req'd	Ea.
3	200 Amp 5 Terminal Meter Base With Lever Bypass	1	Ea.

DESIGN PARAMETERS:

- See Notes 1 through 11 above.

HEAT RATE METER WIRING DIAGRAM
 For 1Ø 3 Wire Heating Loads Under 200 Amps Wired from Main Meter
 320A Breaker.
 Meter Form: 2S or 2E



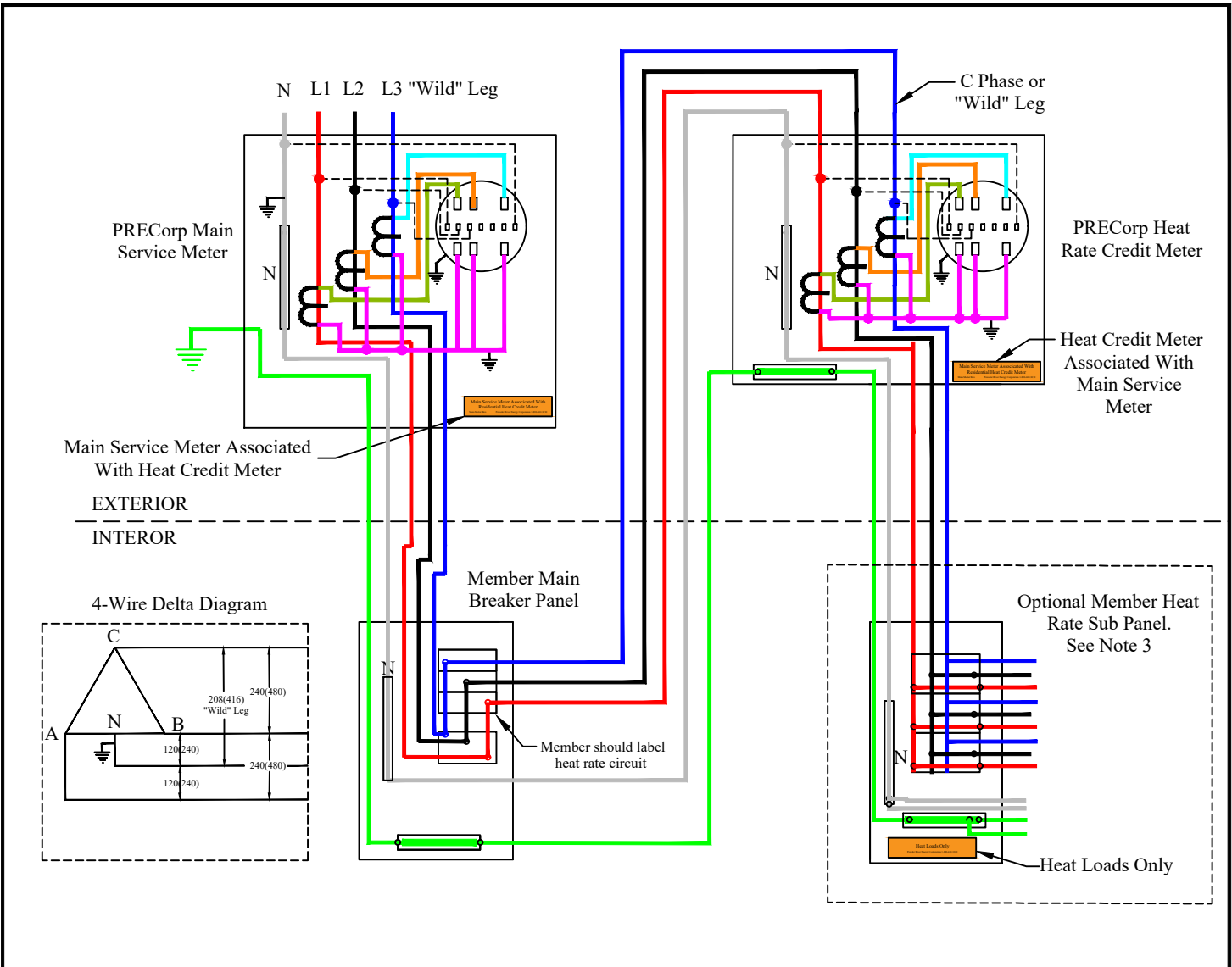
1. All clearances and protective devices must be in conformance to the most stringent requirements of the NESC, the NEC, or other codes of governmental or regulating authorities as applicable.
2. Wire Colors in drawing for illustration, actual colors shall meet NEC requirements.
3. A sub panel and breaker shall be installed in the Heat Rate Circuit if heat source is not equipped with breaker.
4. PRECorp personnel shall verify all heat rate meter installations meet PRECorp's standards.
5. Heat Rate Meter base must be clearly marked as such.
6. All breakers shall be labeled denoting meter base potentials and loads.
7. Labels shall be placed on the outside of meter box/sub panel in that they do not interfere with the opening/closing of the device.
8. A clear work space of 3' shall be maintained around the meters.
9. Heat Rate Meter shall be installed in close proximity to Main Electric Meter when both meters are mounted on the same building.

ITEM	DESCRIPTION	QTY	UNIT
1	Conduit	As Req'd	Ft.
2	Hardware	As Req'd	Ea.
3	600 Amp 6 Terminal Meter Base	1	Ea.

DESIGN PARAMETERS:
 • See Notes 1 through 9 above.

HEAT RATE METER WIRING DIAGRAM
 For 1Ø 3 Wire Heating Loads Over 200 Amps.
 Meter Form: 4S

09/14/20	 A Touchstone Energy® Cooperative	HRSM-4S
Rev. 0		
PAGE 4 OF 8		



1. All clearances and protective devices must be in conformance to the most stringent requirements of the NESC, the NEC, or other codes of governmental or regulating authorities as applicable.
2. Wire Colors in drawing for illustration, actual colors shall meet NEC requirements.
3. A sub panel and breaker shall be installed in the Heat Rate Circuit if heat source is not equipped with breaker.
4. PRECorp personnel shall verify all heat rate meter installations meet PRECorp's standards.
5. Heat Rate Meter base must be clearly marked as such.
6. All breakers shall be labeled denoting meter base potentials and loads.
7. Labels shall be placed on the outside of meter box/sub panel in that they do not interfere with the opening/closing of the device.
8. A clear work space of 3' shall be maintained around the meters.
9. Heat Rate Meter shall be installed in close proximity to Main Electric Meter when both meters are mounted on the same building.
10. "Wild" or "High" Leg shall be installed in the rightmost terminal of the meter socket (i.e. C phase terminal).
11. "Wild" or "High" Leg shall be indicated with a durable and permanent orange marker.

ITEM	DESCRIPTION	QTY	UNIT
1	Conduit	As Req'd	Ft.
2	Hardware	As Req'd	Ea.
3	600 Amp 13 Terminal Meter Base	1	Ea.

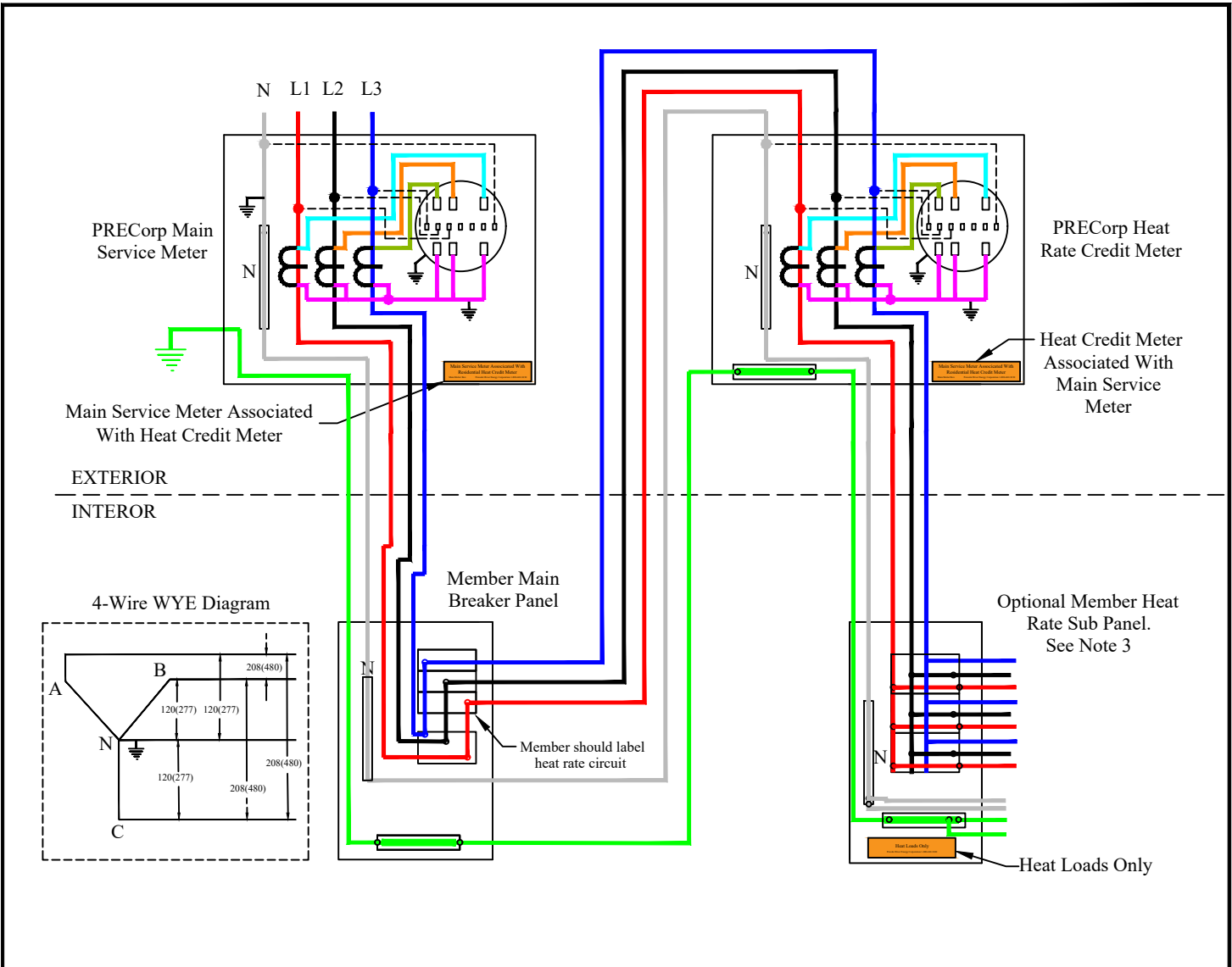
DESIGN PARAMETERS:
 • See Notes 1 through 11 above.

HEAT RATE METER WIRING DIAGRAM

3Ø 4-Wire Delta Heat Rate Loads Over 200 Amps.
 Meter Form: 9/8S

09/14/20		HRSM - 9S-D
Rev. 0		
PAGE 5 OF 8		

A Touchstone Energy® Cooperative



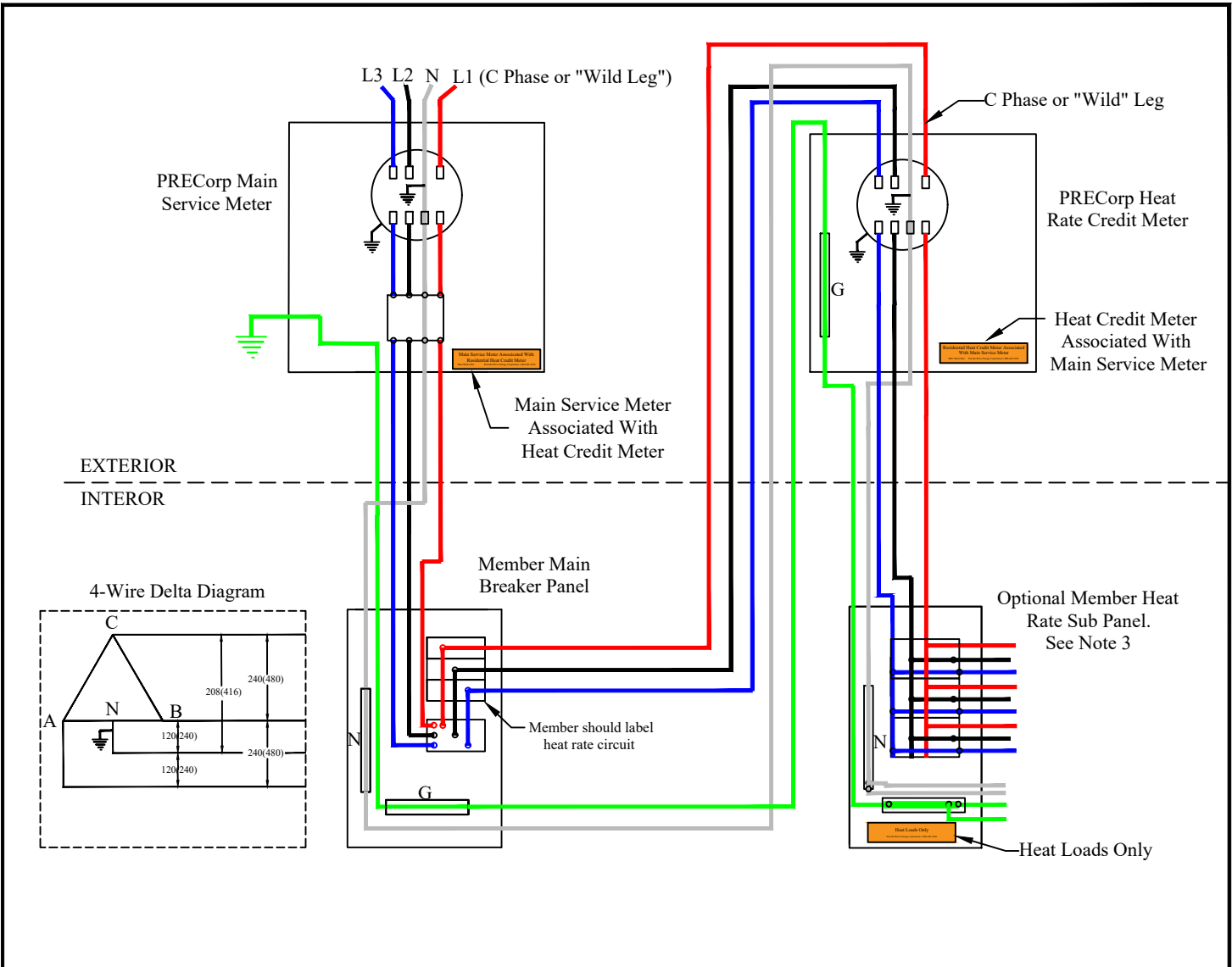
1. All clearances and protective devices must be in conformance to the most stringent requirements of the NESC, the NEC, or other codes of governmental or regulating authorities as applicable.
2. Wire colors in drawing for illustration, actual colors shall meet NEC requirements.
3. A sub panel and breaker shall be installed in the heat rate circuit if heat source is not equipped with breaker.
4. PRECorp personnel shall verify all heat rate meter installations meet PRECorp's standards.
5. Heat rate meter base must be clearly marked as such.
6. All breakers shall be labeled denoting meter base potentials and loads.
7. Labels shall be placed on the outside of meter box/sub panel in that they do not interfere with the opening/closing of the device.
8. A clear work space of 3' shall be maintained around the meters.
9. Heat rate meter shall be installed in close proximity to main electric meter when both meters are mounted on the same building.

ITEM	DESCRIPTION	QTY	UNIT
1	Conduit	As Req'd	Ft.
2	Hardware	As Req'd	Ea.
3	600 Amp 13 Terminal Meter Base	1	Ea.

DESIGN PARAMETERS:
 • See Notes 1 through 9 above.

HEAT RATE METER WIRING DIAGRAM
 3Ø 4-Wire WYE Heat Rate Loads Over 200 Amps.
 Meter Form: 9/8S

09/14/20	 A Touchstone Energy® Cooperative	HRSM-9S-Y
Rev. 0		
PAGE 6 OF 8		




1. All clearances and protective devices must be in conformance to the most stringent requirements of the NESC, the NEC, or other codes of governmental or regulating authorities as applicable.
2. Wire Colors in drawing for illustration, actual colors shall meet NEC requirements.
3. A sub panel and breaker shall be installed in the Heat Rate Circuit if heat source is not equipped with breaker.
4. PRECorp personnel shall verify all heat rate meter installations meet PRECorp's standards.
5. Heat Rate Meter base must be clearly marked as such.
6. All breakers shall be labeled denoting meter base potentials and loads.
7. Labels shall be placed on the outside of meter box/sub panel in that they do not interfere with the opening/closing of the device.
8. A clear work space of 3' shall be maintained around the meters.
9. Heat Rate Meter shall be installed in close proximity to Main Electric Meter when both meters are mounted on the same building.
10. "Wild" or "High" Leg shall be installed in the rightmost terminal of the meter socket (i.e. C phase terminal).
11. "Wild" or "High" Leg shall be indicated with a durable and permanent orange marker.

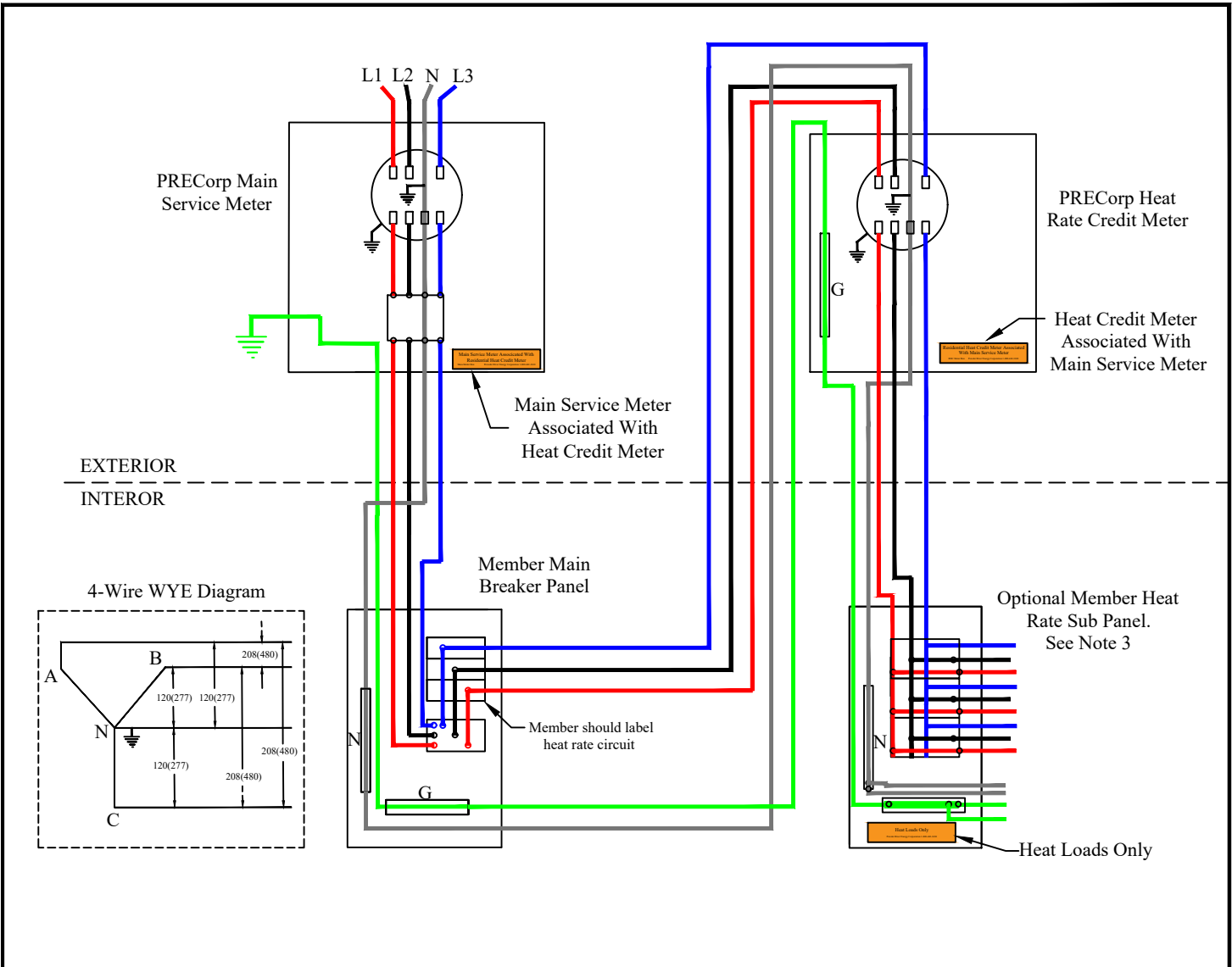
ITEM	DESCRIPTION	QTY	UNIT
1	Conduit	As Req'd	Ft.
2	Hardware	As Req'd	Ea.
3	200 Amp 7 Terminal Meter Base	1	Ea.

DESIGN PARAMETERS:
 • See Notes 1 through 11 above.

HEAT RATE METER WIRING DIAGRAM
 3Ø 4-Wire Delta Heat Rate Loads Under 200 Amps
 Meter Form: 16/15S

09/14/20		HRSM-16S-D
Rev. 0		
PAGE 7 OF 8		

A Touchstone Energy® Cooperative




1. All clearances and protective devices must be in conformance to the most stringent requirements of the NESC, the NEC, or other codes of governmental or regulating authorities as applicable.
2. Wire Colors in drawing for illustration, actual colors shall meet NEC requirements.
3. A sub panel and breaker shall be installed in the Heat Rate Circuit if heat source is not equipped with breaker.
4. PRECorp personnel shall verify all heat rate meter installations meet PRECorp's standards.
5. Heat Rate Meter base must be clearly marked as such.
6. All breakers shall be labeled denoting meter base potentials and loads.
7. Labels shall be placed on the outside of meter box/sub panel in that they do not interfere with the opening/closing of the device.
8. A clear work space of 3' shall be maintained around the meters.
9. Heat Rate Meter shall be installed in close proximity to Main Electric Meter when both meters are mounted on the same building.

ITEM	DESCRIPTION	QTY	UNIT
1	Conduit	As Req'd	Ft.
2	Hardware	As Req'd	Ea.
3	200 Amp 7 Terminal Meter Base	1	Ea.

DESIGN PARAMETERS:
 • See Notes 1 through 9 above.

HEAT RATE METER WIRING DIAGRAM
 3Ø 4-Wire WYE Heat Rate Loads Under 200 Amps
 Meter Form: 16/15S

09/14/20		HRSM-16S-Y
Rev. 0		
PAGE 8 OF 8		

A Touchstone Energy® Cooperative