

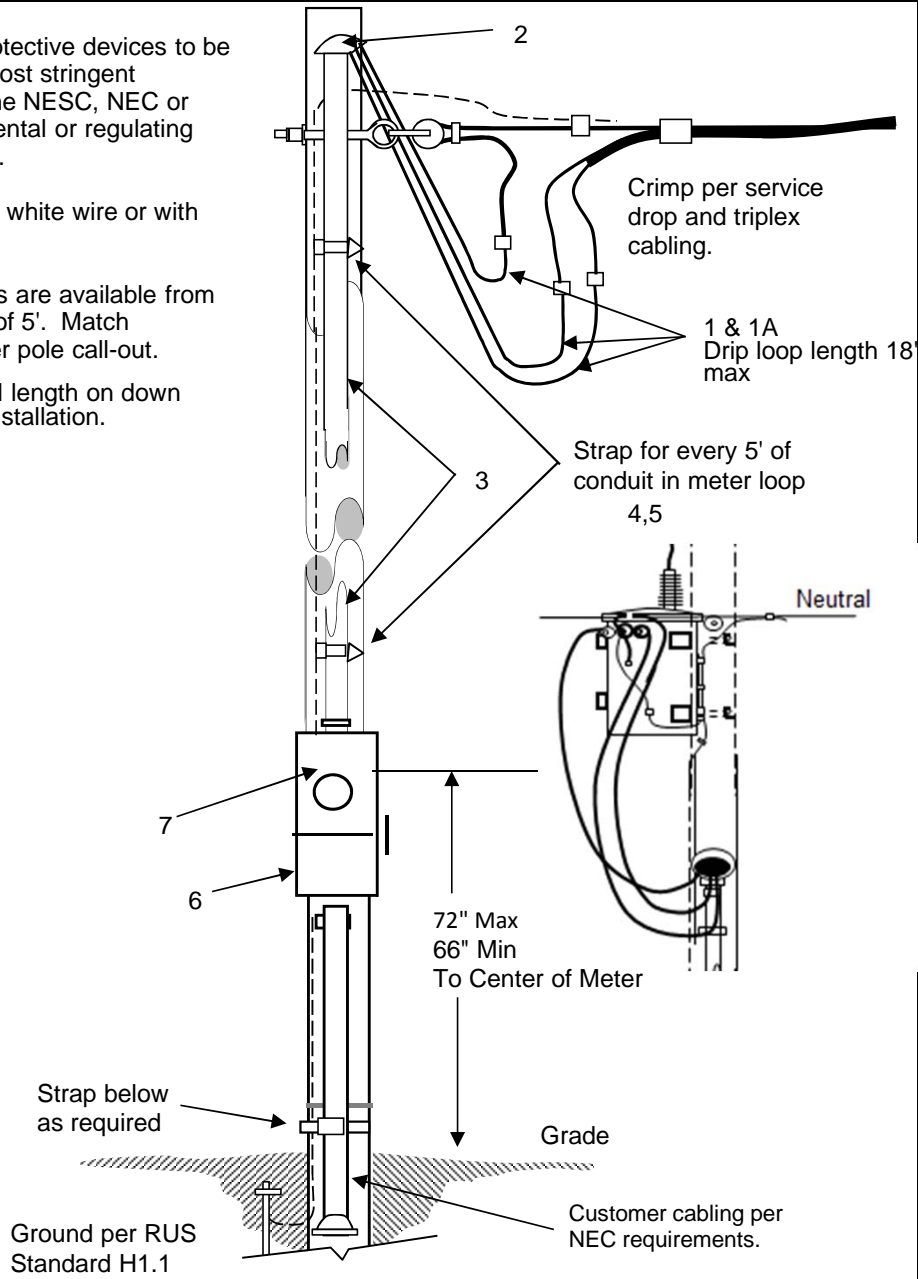
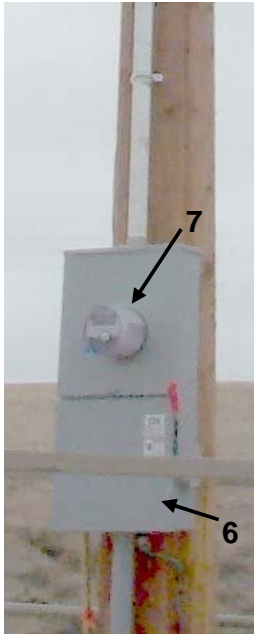
1. All clearances and protective devices to be in conformance to the most stringent requirements of either the NESC, NEC or other codes of governmental or regulating authorities as applicable.

2. Indicate Neutral with a white wire or with white electrical tape.

3. Meter loop assemblies are available from 10' to 35' in increments of 5'. Match assembly length to meter pole call-out.

4. For every 5' additional length on down loop add 15' of wire to installation.

5. Guy pole as required.



MATERIALS LISTING

ITEM	DESCRIPTION	QTY 15'DL	UNIT	PREC #
1	2/0 THHN Copper Phase	50	Ft.	3130
1A	2/0 THHN Cu, White	25	Ft.	3132
2	2" Weather Head	1	Ea.	8220
3	2" Conduit	15	Ft.	8030
4	2" Strap	3	Ea.	9160-2
5	5/16" x2.5" Lag Bolt	8	Ea.	9104
6	7-T** 480V 200A 3 Phase Meter Box w/Disconnect	1	Ea.	9186
7	Form 12S Class 200 480V or 120-480V 1Ø Meter	1	Ea.	

Design Parameters:

- > See design notes 1 through 4 above.
- > * Add required loop length (Note 4).
- > Transformer Range: 25KVA-50KVA
- > ** 5 of 7 terminals used (2 unused).

**240/480V 200A Self Contained Service
3-Wire Down Loop**

RUS
5/31/2013
Rev A



Q1.2-02SC*