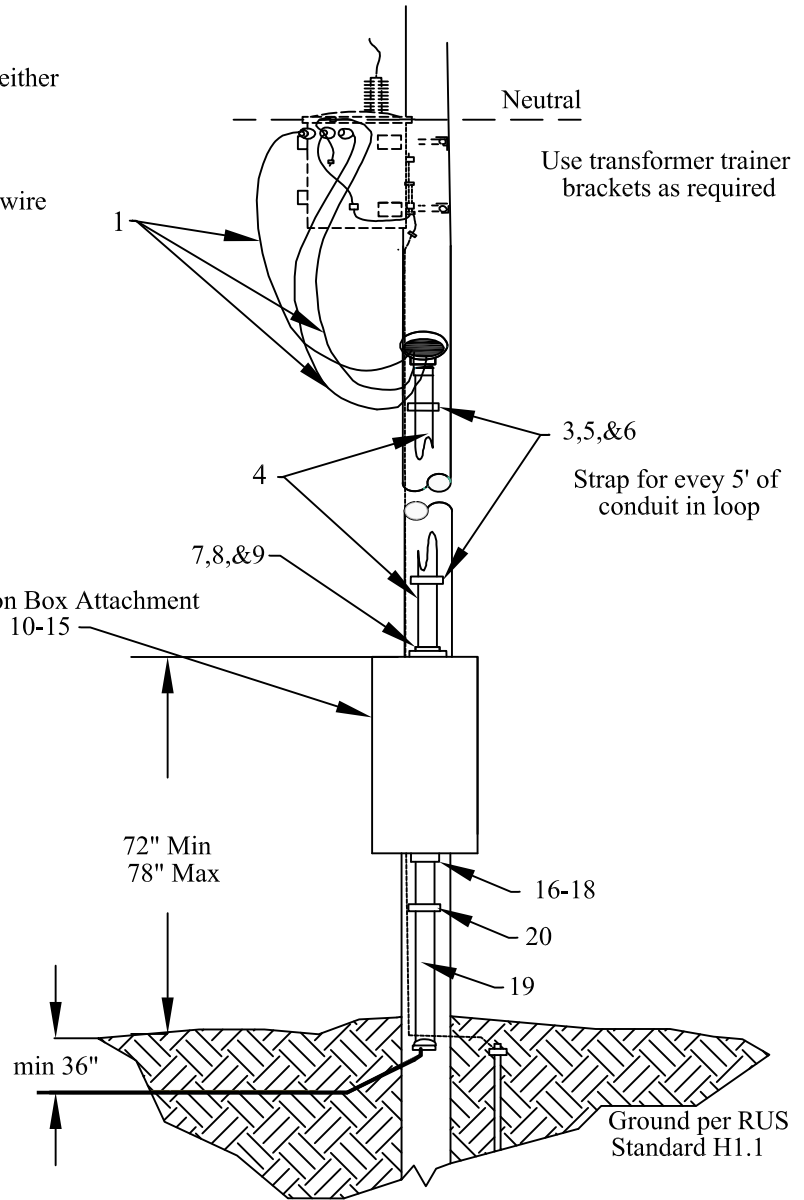
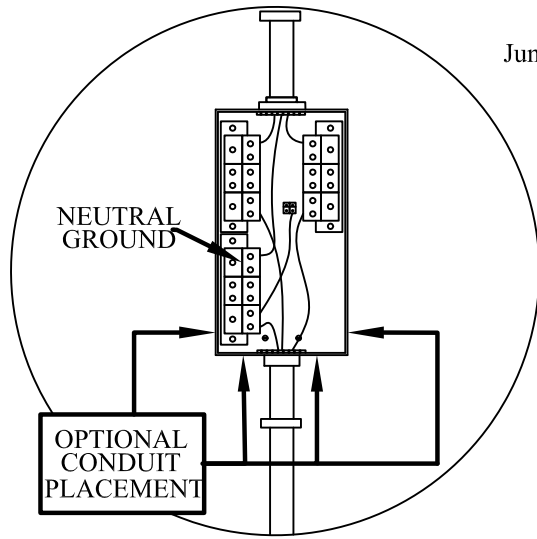


1. All clearances and protective devices to be in conformance to the most stringent requirements of either the NESC, NEC or other codes of governmental or regulating authorities as applicable.
2. Guy pole as required.
3. For every 5' additional length on loop add 15' of wire to installation.

WIRE DIAGRAM



ITEM	QTY	UNIT	MATERIAL LISTING	PREC#	ITEM	QTY	UNIT	MATERIAL LISTING	PREC#
1	63	Ft.	500 MCM THW (430 Rating) Phase & Neutral	3145	11	4	Ea.	1" x 3/8" SS Bolt	9857
2	1	Ea.	4" Weatherhead	8220-4	12	44	Inch	1" x 1 5/8" Unistrut	9296
3	3	Ea.	12" Stand-Off	9290	13	4	Ea.	2 x 2 Square Washer	9091
4	15	Ft.	4" Sch 80 PVC	8245-4	14	2	Ea.	5/8" x 16" Machine Bolts	1083
5	3	Ea.	4" Straps	9155-4	15	1	Ea.	Junction Box	8112
6	6	Ea.	1/2"x4" Lag Bolts	9110	16	1	Ea.	PVC Female Adapter 2"	9802-2
7	1	Ea.	4" Terminal Adapter	9801-4	17	2	Ea.	Fitting Locknut 2"	9804-2
8	2	Ea.	4" Fitting Locknut	9804-4	18	1	Ea.	PVC Terminal adapter 2"	9801-2
9	1	Ea.	4" PVC Female Adapter	9802-4	19	6	Ft.	PVC Conduit SCHED 80 2"	8245-2
10	4	Ea.	3/8" Spring Nuts	9295	20	1	Ea.	Clamp Strut Assy 2" Bline GRC	9155-2

DESIGN PARAMETERS:

- >See notes 1 through 3 above
- >* Loop length added as required.

POLE MOUNTED JUNCTION BOX
400 Amp-Max

RUS		UM5-5R*
08/21/12		
Rev. 0		

Λ Touchstone Energy® Cooperative