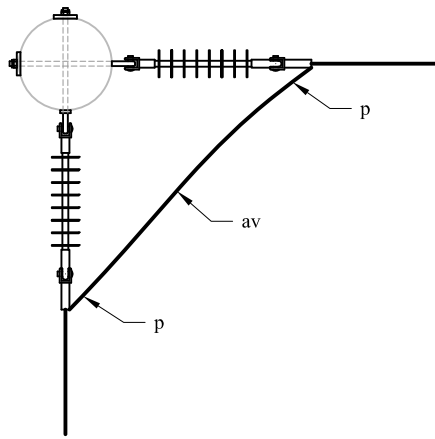
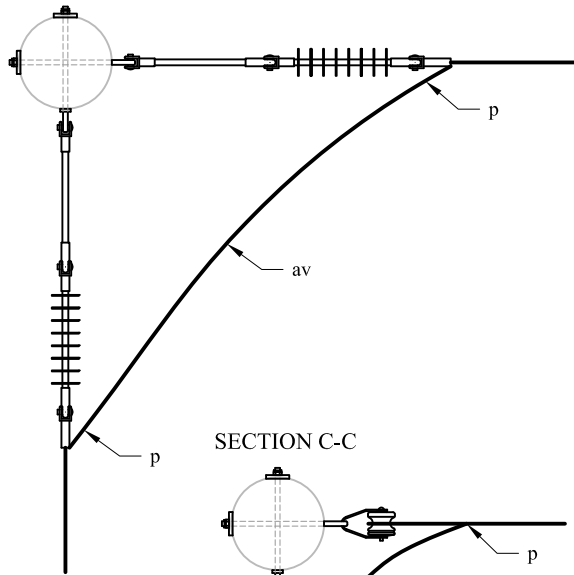


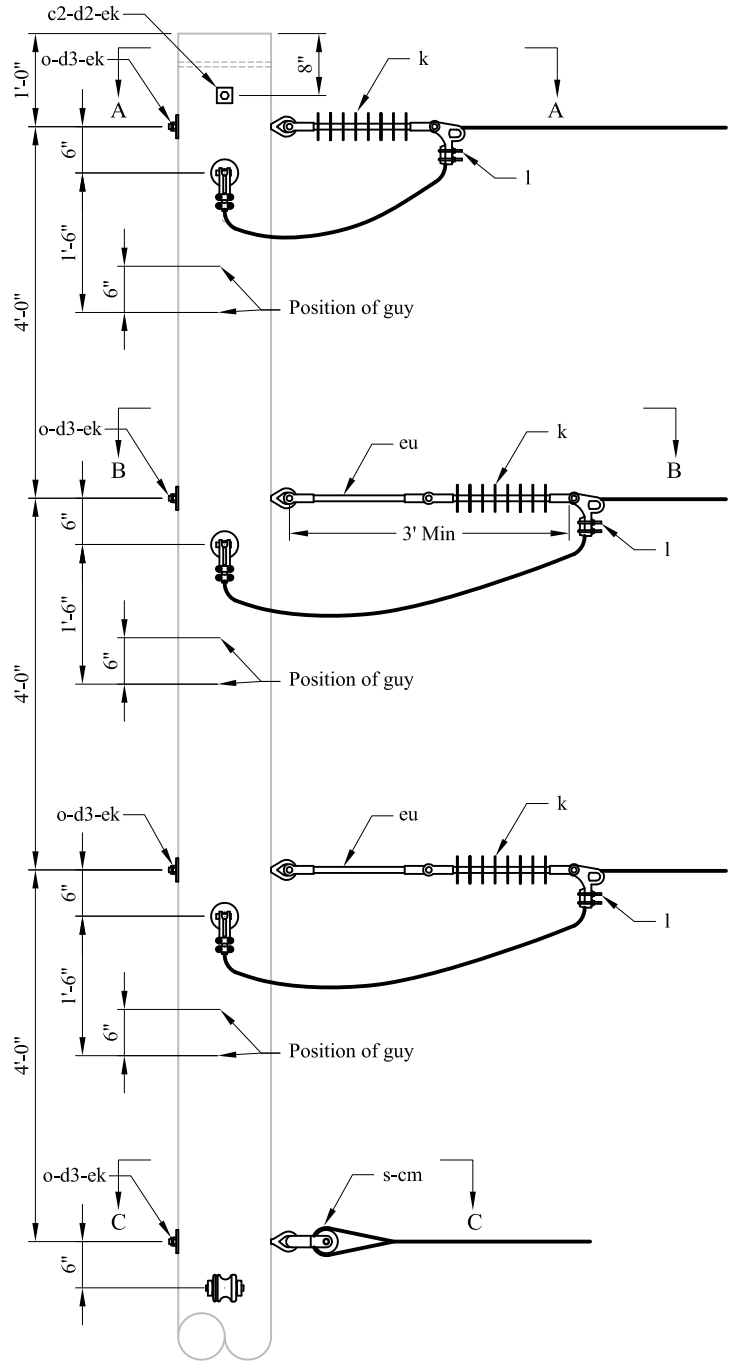
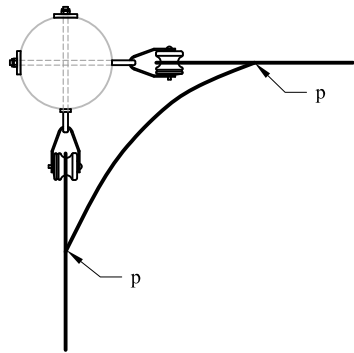
SECTION A-A



SECTION B-B



SECTION C-C



ITEM	MATERIAL	PART #	QTY	ITEM	MATERIAL	PART #	QTY
c2	Bolt, machine 5/8" x req'd length	9372	1	p	Connectors	9031/9032	8
d2	washer, square 2" x 2" x 11/16"	9091	2	s	Clevis, swinging	2160	2
d3	Washer, curved 3" x 3" x 11/16"	9092	8	av	Jumpers, insulated		as req'd
k	Epoxillator, polymer distribution deadend, 18.75"	4280	6	cm	Insulator, spool 3"	4270	2
l	Clamp deadend	2120	6	ek	Locknuts	9096	9
o	Bolt, oval eye, 5/8" x req'd length	9368	8	eu	Link, extension fiberglass, 18"	4281	4

NOTES:

- DESIGN PARAMETERS:
Allowable Longitudinal Load Equals Lesser of:
5,000 lbs/conductor or manufacturer's specifications
- VC1.014 is also required for angles of 20° to 60°

24.9 / 14.4 KV, 3-PHASE
VERTICAL DOUBLE DEADEND CONSTRUCTION
SMALL CONDUCTORS

RUS
03/16/12
Rev. A



VC4.1R