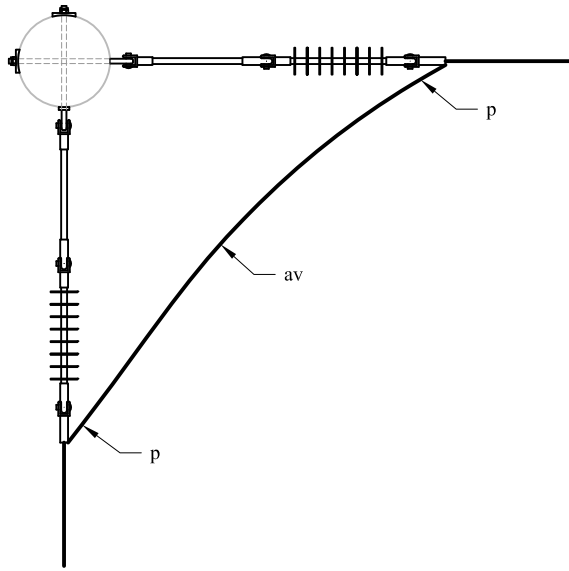
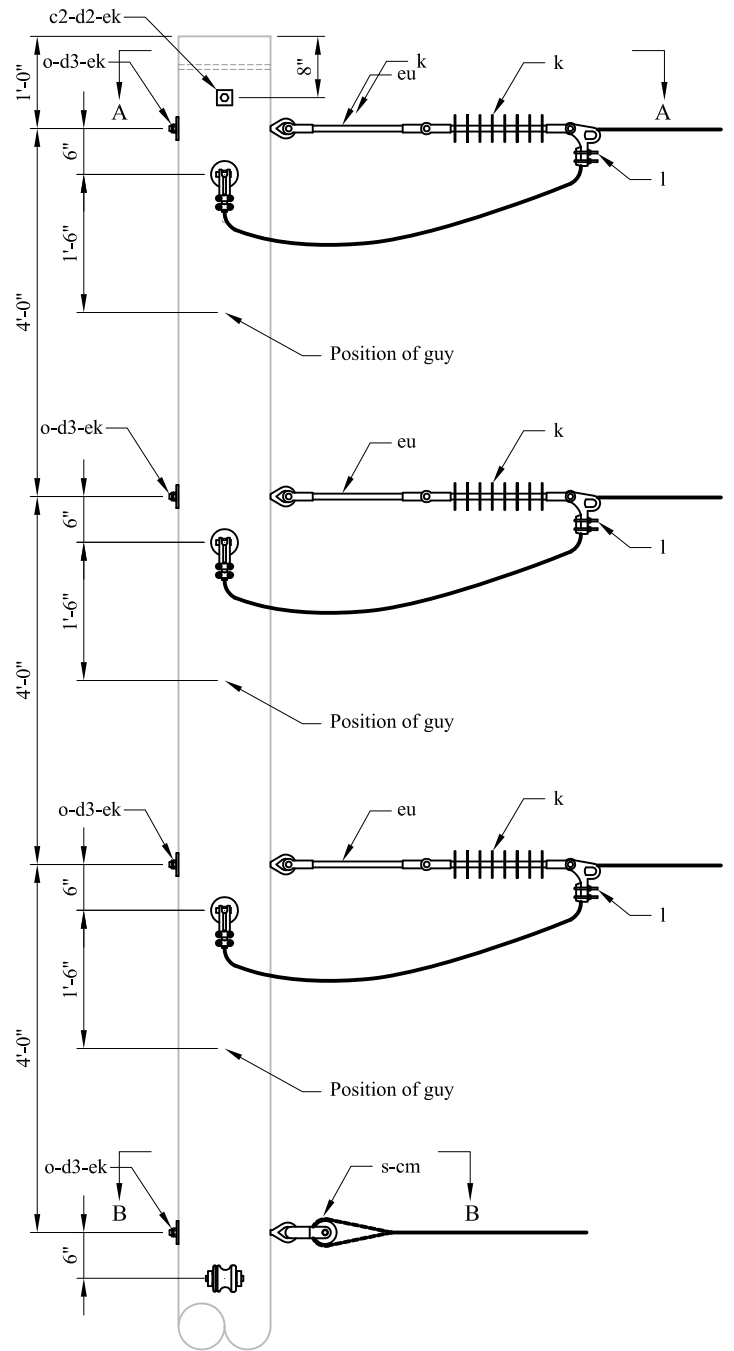
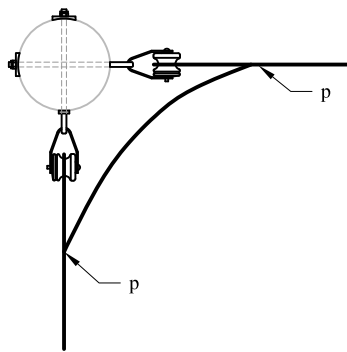


SECTION A-A



SECTION B-B



ITEM	NO.	MATERIAL	ITEM	NO.	MATERIAL
c2	1	Bolt, machine 5/8" x req'd length	av	as req'd	Jumpers, insulated
d2	2	washer, square 2" x 2" x 11/16"	cm	2	Insulator, spool 4"
d3	8	Washer, curved 3" x 3" x 11/16"	ek	9	Locknuts
k	6	Insulator, polymer distribution deadend	eu	6	Link, extension fiberglass
l	6	Clamp deadend			
o	8	Bolt, oval eye, 5/8" x req'd length			
p	8	Connectors			
s	2	Clevis, swinging			

DESIGN PARAMETERS:

Allowable Longitudinal Load Equals Lesser of:  
 5,000 lbs/conductor or manufacturer's  
 specifications  
 20° To 120° Angle

24.9 / 14.4 KV, 3-PHASE  
 VERTICAL DOUBLE DEADEND CONSTRUCTION  
 LARGE CONDUCTORS

RUS  
 03/26/2008  
 Rev. 0



VC4.2L