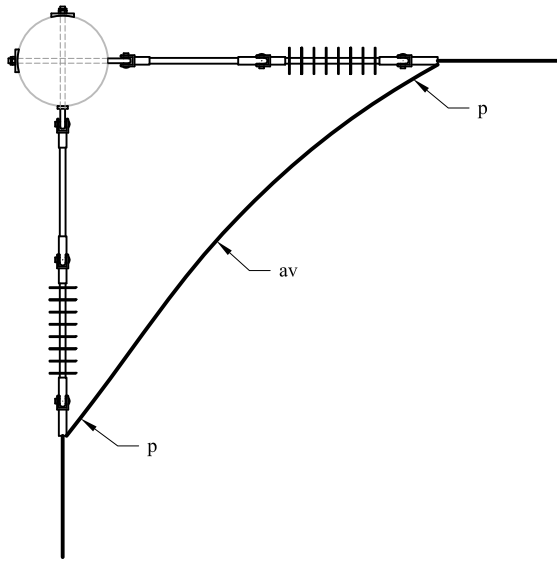
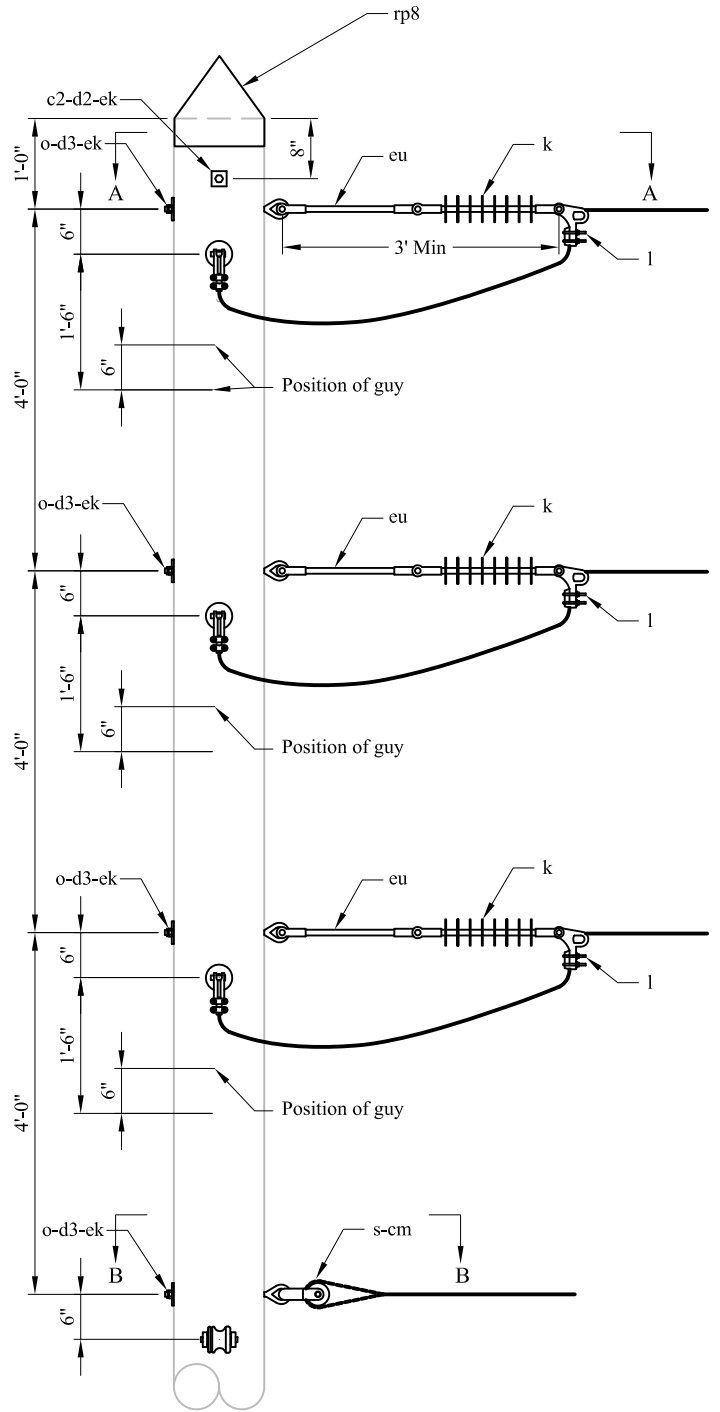
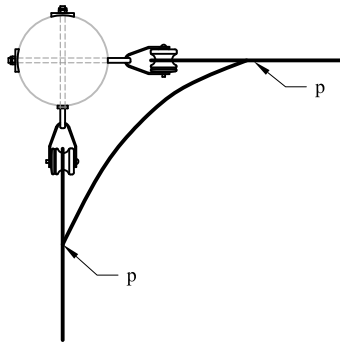


SECTION A-A



SECTION B-B



ITEM	MATERIAL	PART #	QTY	ITEM	MATERIAL	PART #	QTY
c2	Bolt, machine 5/8" x req'd length	9372	1	s	Clevis, swinging	2160	2
d2	washer, square 2" x 2" x 11/16"	9091	2	av	Jumpers, insulated		as req'd
d3	Washer, curved 3" x 3" x 11/16"	9092	8	cm	Insulator, spool 4"	4271	2
k	Epoxillator, polymer distribution deadend, 18.75"	4280	6	ek	Locknuts	9096	9
l	Clamp deadend	2125	6	eu	Link, extension fiberglass 18"	4281	6
o	Bolt, oval eye, 5/8" x req'd length	9368	8	rp8	Perch Guard Pole Top Cone	4747	1
p	Connectors	9034/9036	8				

NOTES:

DESIGN PARAMETERS:

1. Allowable Longitudinal Load Equals Lesser of:
5,000 lbs/conductor or manufacturer's specifications
2. VC1.014 is also required for angles of 20° to 60°

24.9 / 14.4 KV, 3-PHASE
VERTICAL DOUBLE DEADEND CONSTRUCTION
LARGE CONDUCTORS

RUS

03/16/12

Rev. B



VC4.2LRG1