

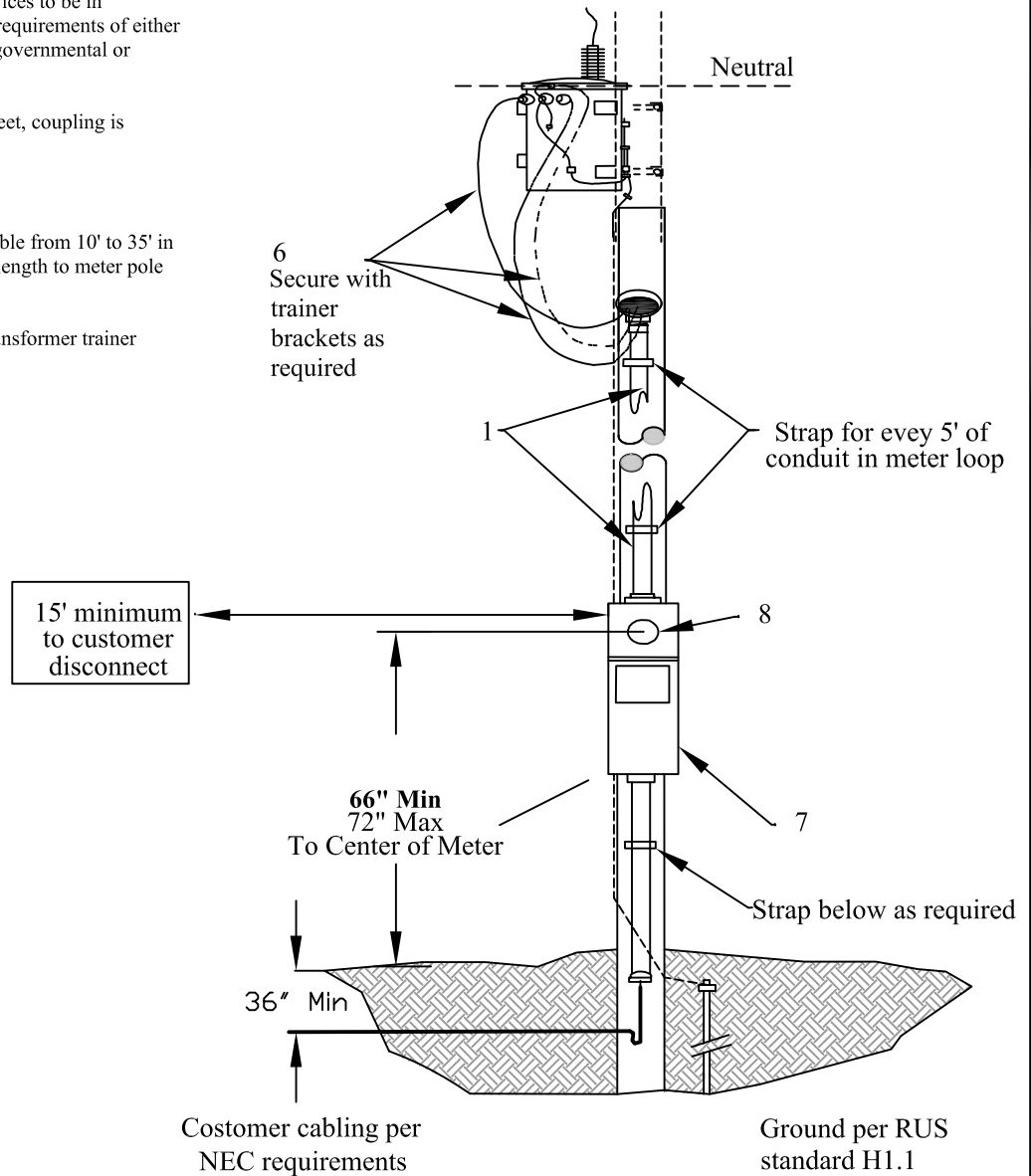
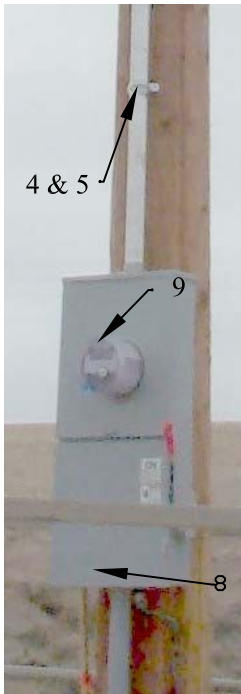
1. All clearances and protective devices to be in conformance to the most stringent requirements of either the NESC, NEC or other codes of governmental or regulating authorities as applicable.

2. If length of conduit exceeds 10 feet, coupling is permitted on end adjacent to meter.

3. Guy pole as required.

4. Meter loop assemblies are available from 10' to 35' in increments of 5'. Match assembly length to meter pole call-out.

5. Secure secondary wiring with transformer trainer brackets as required.



MATERIAL LISTING

ITEM	DESCRIPTION	QTY	UNIT	PREC#
1	200A Single-Phase Meter Loop	2	Ea.	8310-*
2				
3				
4				
5				
6	Transformer Trainer Brackets (As Required)	2	Ea.	9052
7	7-T** 480V 200A 3 Phase Meter Box w/Disconnect	1	Ea.	9186
8	Form 12S Class 200 480V or 120-480V 1Ø Meter	1	Ea.	

DESIGN PARAMETERS:

- > See notes 1 through 5 above
- > * Add loop length as required (Note 4).
- > ** 5 of 7 terminals used (2 unused).

240/480V 200A Transformer Pole Mounted Self Contained Service 3-Wire Down Loop Mounted on Transformer Pole (50kVA Xfmr. Max.)

RUS
03/19/2008
rev0



Q1.2-02PSC*