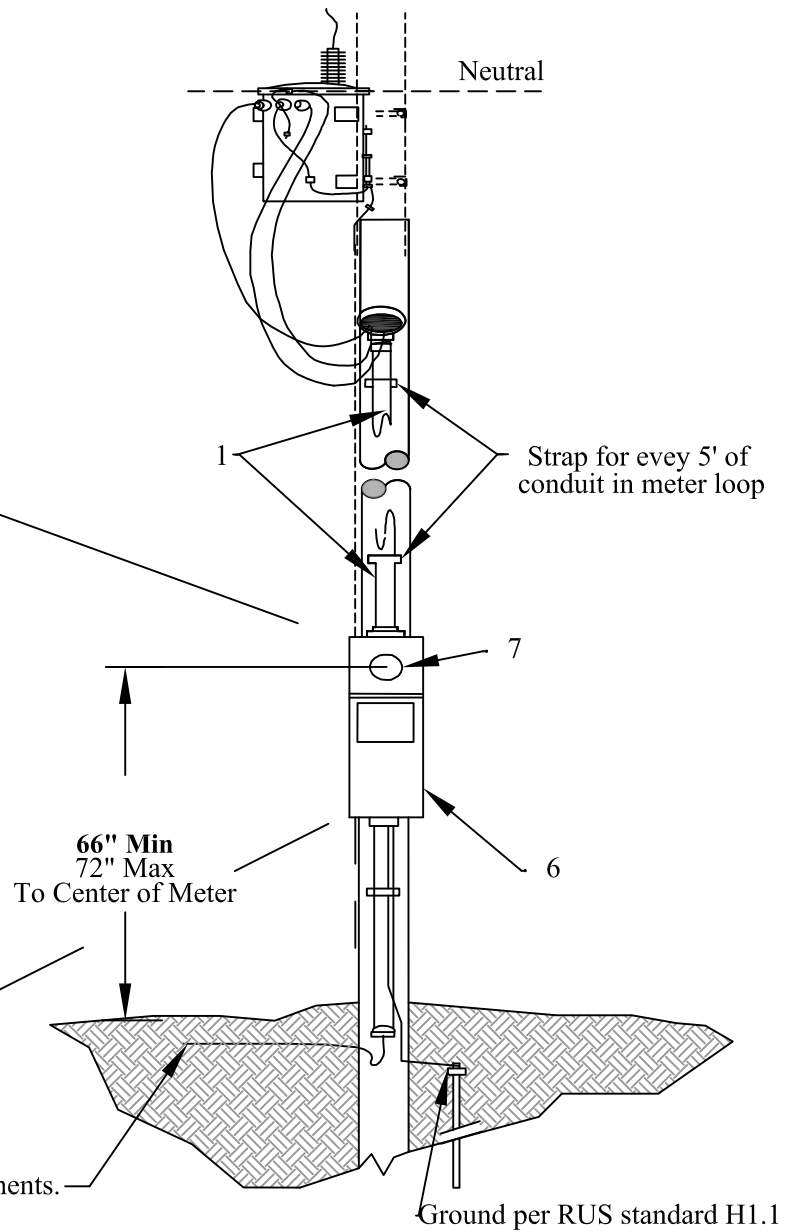


1. All clearances and protective devices to be in conformance to the most stringent requirements of either the NESC, NEC or other codes of governmental or regulating authorities as applicable.
2. If length of conduit exceeds 10 feet, coupling is permitted on end adjacent to meter.
3. Guy pole as required.
4. Meter loop assemblies are available from 10' to 35' in increments of 5'. Match assembly length to meter pole call-out.
5. Add transformer trainer brackets as required.



Customer cabling per NEC requirements.

MATERIAL LISTING

ITEM	DESCRIPTION	QTY	15" DL	UNIT	PREC#
1	100A Single-Phase Meter Loop Assembly	1		Ea.	8308.*
2					
3					
4					
5					
6	4-Terminal 100A Meter Box with 100A Breaker	1		Ea.	9181
7	Form 2S Class 100 or Class 200 240V 3-Wire 1Ø Meter	1		Ea.	

DESIGN PARAMETERS:

- >See notes 1 though 5 above
- >*Add required loop length
- >Meter loop assemblies are available in lengths up to 35' in 5' increments.

120/240V Self Contained Service (15kVA Transformer Max.)
3-Wire Down Loop Mounted on Tranformer Pole

RUS
03/05/08
Rev. 0



Q1.1-01PSC*