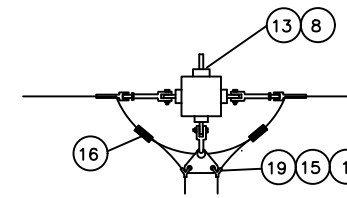
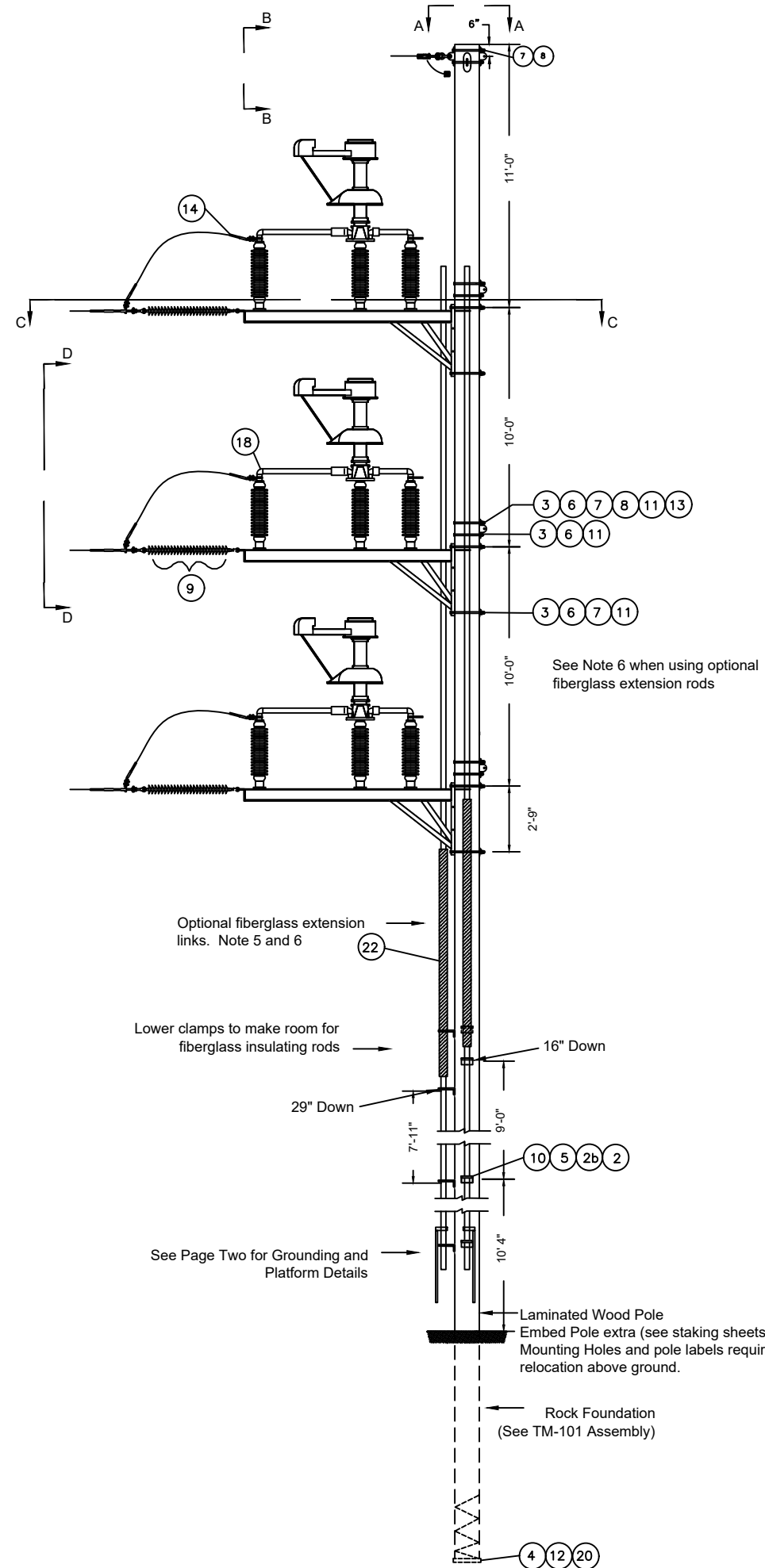


LIST OF MATERIALS

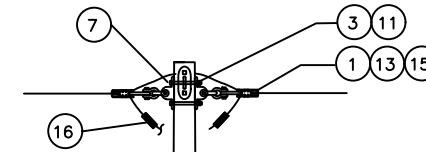
ITEM	QTY.	DESCRIPTION
1	18	ANCHOR SHACKLE, 30 K
2	3	BOLT, MACHINE, GALV., 5/8" X AS REQ'D (note 1)
2a	3	BOLT (Threaded Rod), MACHINE, GALV., 5/8" X AS REQ'D (note 1)
2b	18	Screw, Lag 5/8"x 3" (note 1)
3	16	BOLT, MACHINE, GALV. 3/4" X AS REQ'D (note 1)
4	2	BOLT, MACHINE, GALV. 7/8" X AS REQ'D (note 1)
5	12	WASHER, 2 1/4" SQUARE, FLAT, 11/16" HOLE, (note 1)
6	8	WASHER, 3" SQUARE, FLAT, 13/16" HOLE, (note 1)
7	11	GROUND WIRE CLAMP, GALVANIZED, 3/4" BOLT (SEE NOTE 6)
8	11	Nut, 3/4" (for Groundwire clamp)
9	12	TM-1D Insulator Assembly, Deadend, Compression
10	9	LOCKNUT FOR 5/8" BOLT, M-F, GALV. (note 1)
11	12	LOCKNUT FOR 3/4" BOLT, M-F, GALV. (note 1)
12	2	LOCKNUT FOR 7/8" BOLT, M-F, GALV. (note 1)
13	7	DE TEE, MTG 6", 13/16" HOLE, GALV.
14	9	Terminal, Compression, Paddle
15	5	TM-4D (compression) OHGW Assembly, Deadend
16	6	Clamp, 3 bolt, 6" long, 5/8" bolts
18	1	69KV GROUP OPERATED AIR BREAK SWITCH, PHASE OVER PHASE, 1200 AMP, COMPLETE WITH OPERATING MECHANISM, INTERPHASE RODS, WITH LOAD-BREAK INTERRUPTERS, W/ TR216 POST INSULATORS
19	3	YOKE PLATE, 30k
20	2	Angle, Pole Anchor 4" x 6" x 24" x 1/4" Steel Angle 2 - 1" mounting holes (note 1)
21	1	TM-9A Pole Ground Assembly
22	3	SEECO Fiberglass Extension Rods (OPTIONAL, see NOTES 5 and 6)
23	6	Switching Platform 3 ft by 4ft without legs. (see installation notes)
24	1	Rod, ground, 5/8" min. diameter, 8', copper clad
25	1	Clamp, ground rod, copper
26	3	Braided Ground Strap Assembly (pipe clamp, braid) (note 2)
27	8	Connector, Ground, 4/0 to (5/16" SAG or 4/0 Cu), Parallel Groove
28	12	Ground Clamp (note 2)
29	9	Anchor Shackle, 50K (longer throat)
30	70	Groundwire, 4/0 - 19 Strand Copper (feet)

NOTES:

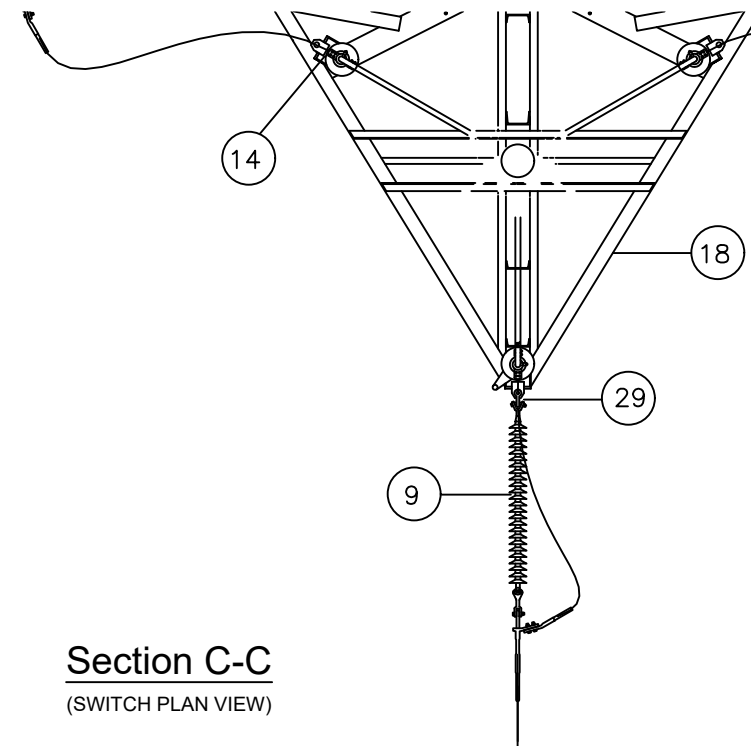
1. These materials are included with the laminated pole.
2. These materials are included with the SEECO switch.
3. For details on switch and operator arm installation see manufacturer's drawings.
4. The frame tension rating shall be 10,000 lbs working load, and 16,500 lbs ultimate.
5. Fiberglass insulating rods may be specified as an option. If specified, install below lowest switch inline with operating mechanisms.
6. When optional fiberglass extension rods (Item 22) are specified omit pole ground conductor.



Section A-A  
(OHGW PLAN VIEW)

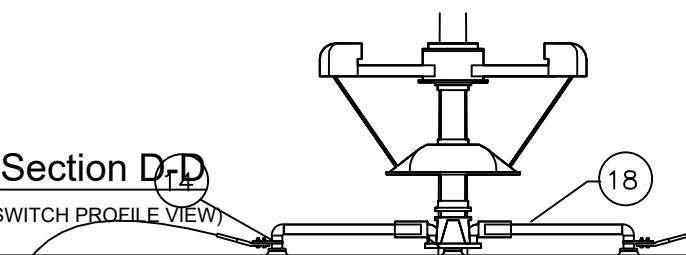



Section B-B  
(OHGW PROFILE VIEW)

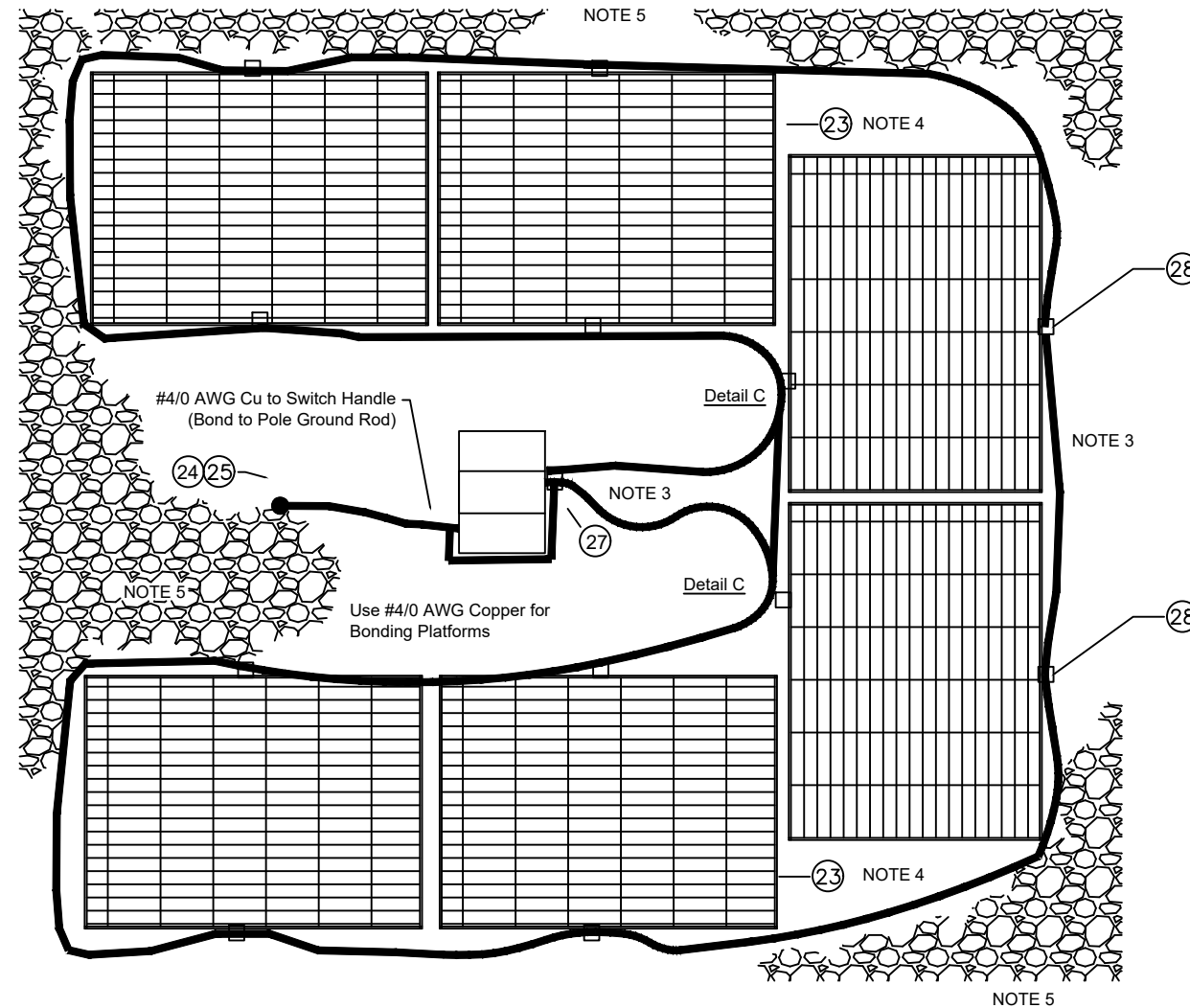
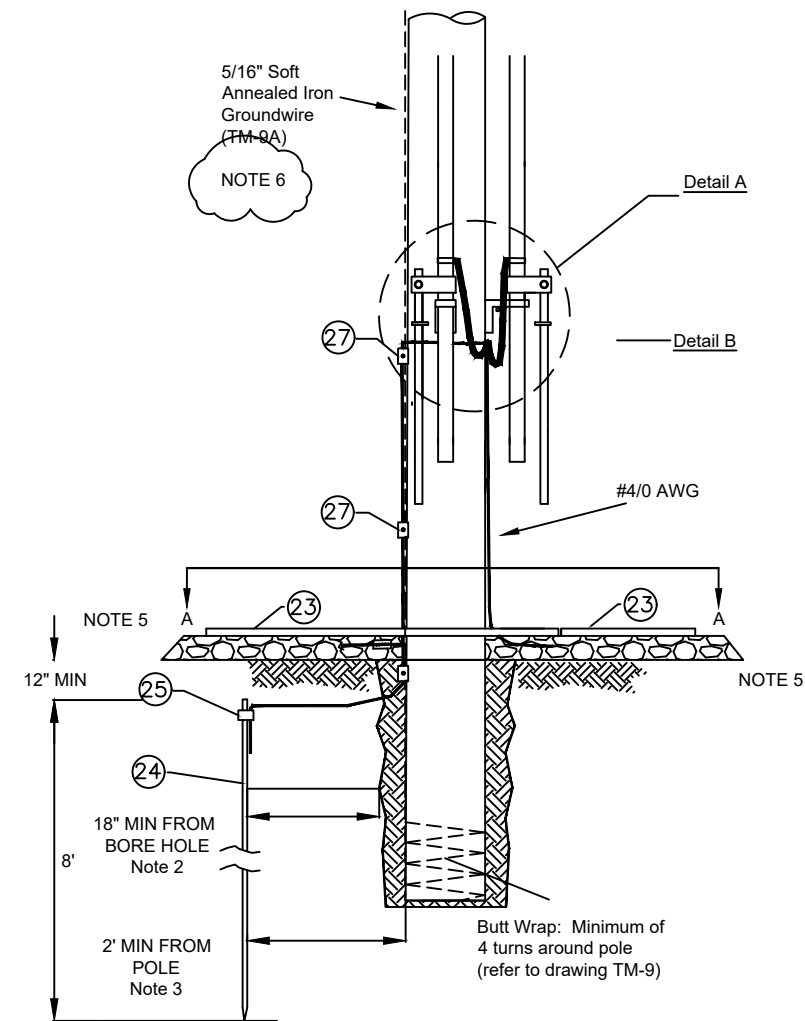


Section C-C  
(SWITCH PLAN VIEW)

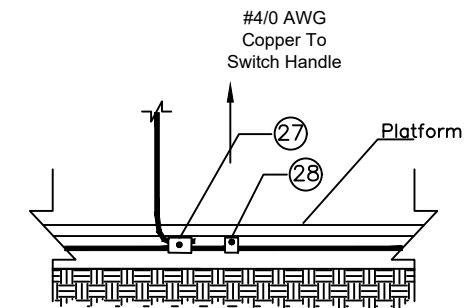
Section D-D  
(SWITCH PROFILE VIEW)



 <p>Powder River Energy Corporation Sundance • Gillette • Sheridan</p>	3-Way GOAB Switch	WO:		
	TS-3W (1 of 2)			
<b>Baccari &amp; Associates, LLC</b> Engineering Consultants • Sheridan, Wyoming • 307 672 5885				
#	Revision Description	Date	By	Date: 5-16-13
0	For Review	5/16/13	BM	Drawn: BM
1	Bidding Purposes	6/6/13	BM	Designed: JR
2	Construction Release	9/2/14	BM	Checked:
3	Added Frame Tension Limits	2/15/18	JC	Approved:
4	Design review - operator pad and bonding	11-10-20	RJD	Scale: NTS
5				Dwg. No:
6				TS-3W



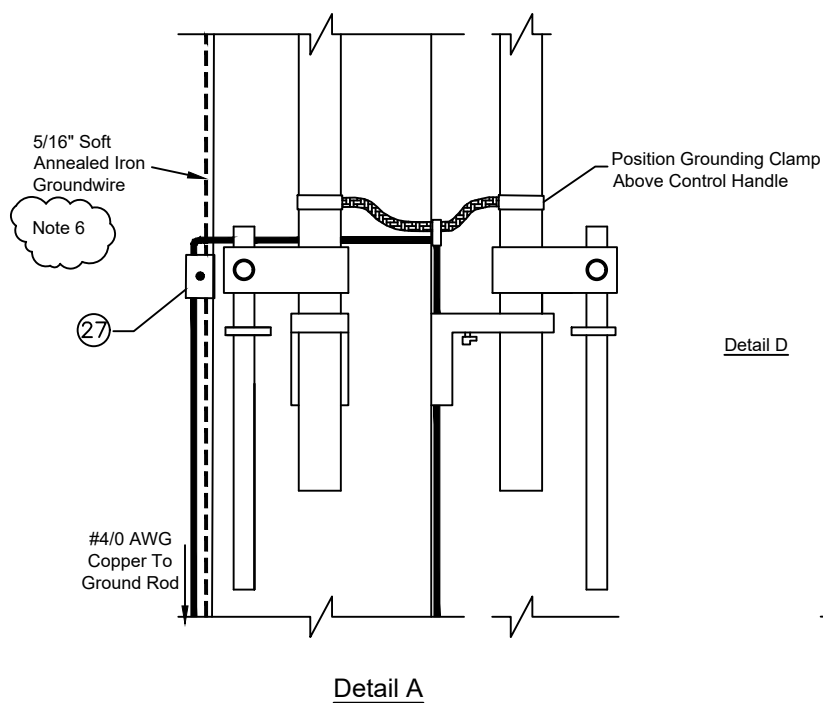
Section A-A



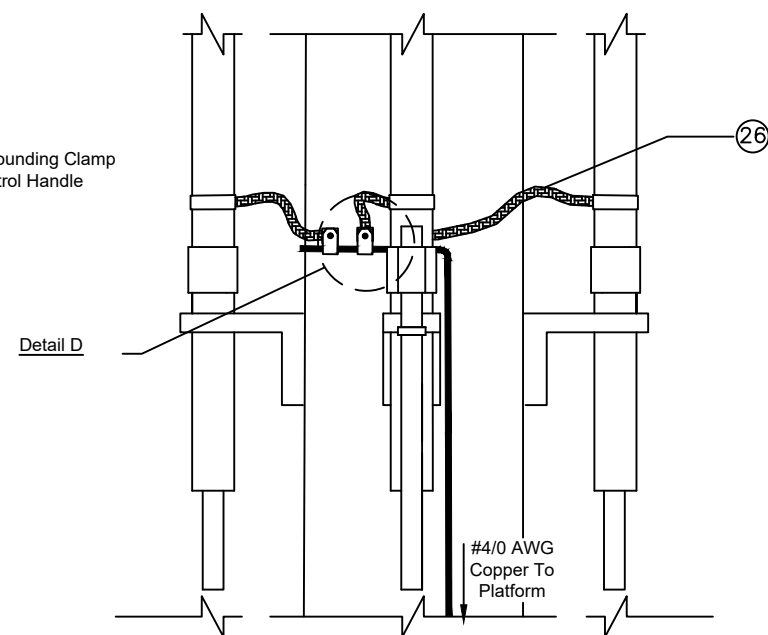
Detail C  
Platform Bonding

NOTES:

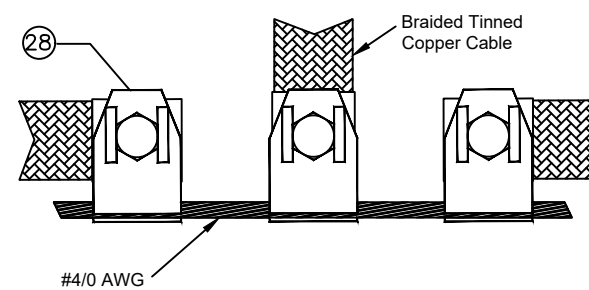
1. Ground Rod shall be buried at least 12" below grade and shall not exceed 18".
2. Ground Rod shall be located at least 18" from the pole foundation boring and at least 24" from the pole.
3. The #4/0 AWG shall be connected continuously from platforms to operator handle position and to ground rod as shown. Install extra grounding conductor (slack) at operator pads to accommodate future re-positioning and maintenance (vegetation control) of the operator platforms.
4. Operator platforms shall be installed after the switch is installed and positioned to accommodate the length of swing operator handle and the range of switch travel. Platform shall be installed directly on grade without platform legs. If worm-gear or motorized operators are specified (instead of swing-arm) one operator pad is sufficient for each switch position.
5. Construct raised, level, well drained pad area under the entire site, approximately sixteen square feet in area. Use a minimum of 6" of native material topped with 10" of compacted clean gravel (1" minus crushed aggregate or similar).
6. When optional fiberglass extension rods (Item #22) are specified omit the pole ground conductor.



Detail A



Detail B  
Handle Bonding



Detail D

		Switch Platform Grnding		WO:
Sundance • Gillette • Sheridan		TS-3W (2 of 2)		
<b>Baccari &amp; Associates, LLC</b> Engineering Consultants • Sheridan, Wyoming • 307 672 5885				
#	Revision Description	Date	By	Date: 5-16-13
0	For Review	5/16/13	BM	Drawn: BM
1	Bidding Purposes	6/6/13	BM	Designed: JR
2	Construction Release	9/2/14	BM	Checked:
3	Platform changes	11-10-20	RJD	Approved:
4				Scale: NTS
5				Dwg. No:
6				TS-3W